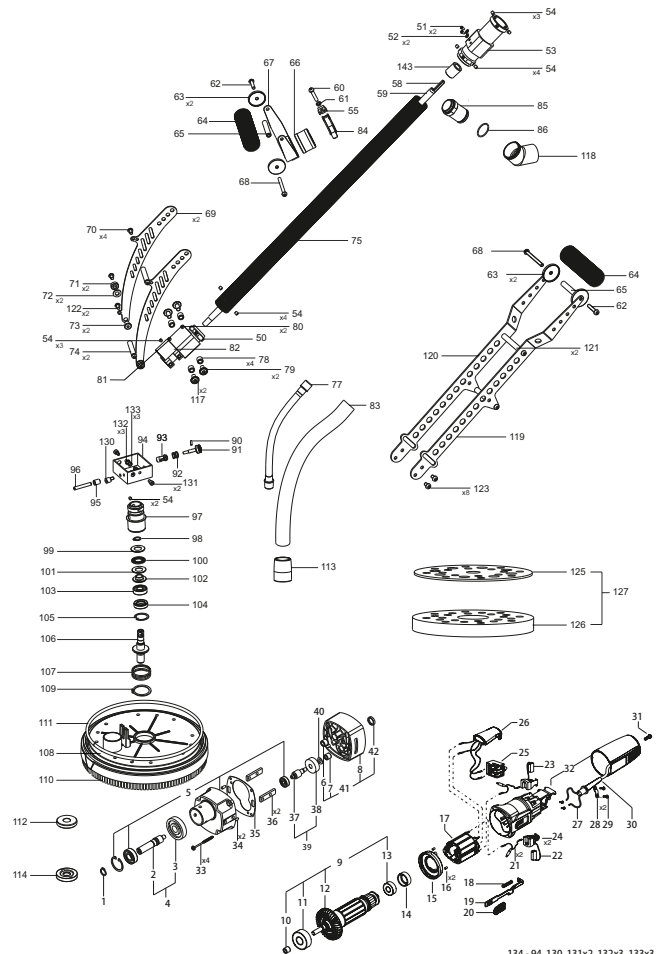


| POS. No. | Ref.No. | Description |
|--------------------|---------|-----------------------------------|
| 1 | 330483 | Circlip B12 |
| 2 | 154845 | Spindle |
| 3 | 154846 | Spindle gear |
| 4 | 154856 | Spindle set |
| 5 | 154854 | Gear box set |
| 6 | 933756 | Bearing HK0709 |
| 7 | 330119 | Bearing HK0609 |
| 8 | 154844 | Bearing shield |
| 9 | 154862 | Armature set |
| 10 | 130784 | Bush |
| 11 | 330269 | Bearing 629-2Z P63 LDS 18 |
| 12 | 152579 | Fan |
| till 13.Jan.2013 - | 13 | 330582 Bearing 6262ZP6E LDS18 SKF |
| 13 | 331509 | Bearing 626 2RSL |
| 14 | 129087 | Elastic sleeve |
| 15 | 152756 | Diffuser |
| 16 | 272960 | Claming pin |
| 17 | 120831 | Stator set |
| 18 | 131214 | Pressure spring 0,5xE4x25 |
| 19 | 152758 | Guiding switch lever |
| 20 | 170117 | Slide |
| 21 | 124083 | Choke |
| 22 | 129092 | Brush |
| 23 | 129093 | Brush with a switch |
| till 16.Mar.2014 - | 24 | 129082 Brush holder set |
| 24 | 142187 | Brush holder set |
| 25 | 102100 | Switch PS8 |
| till 29.Jun.2011 - | 25 | 153548 Switch APB-2114 Defond |
| 26 | 179299 | Electronic block |
| 27 | 169564 | Cord with a plug |
| 28 | 256500 | Cord clamp |
| 29 | 361360 | Screw K 4X9.5 TORX 20 |
| 30 | 152759 | Cord protector |
| 31 | 361328 | Screw K4x18 TORX 20 |
| 32 | 152770 | Body with cover |
| 33 | 361404 | Screw K4X50 TORX 20 |
| 34 | 115865 | Pin |
| 35 | 154851 | Gasket |
| 36 | 154852 | Plate |
| 37 | 154847 | Gear shaft |
| 38 | 154848 | Large intermediate gear |
| 39 | 154849 | Gear shaft complement |
| 40 | 154850 | Washer |
| 41 | 154855 | Bearing shield set |
| 42 | 330641 | Gasket 12x16x3 |
| 50 | 155254 | Console |
| 51 | 361280 | Screw M 4x6 |
| 52 | 361277 | Washer 1-M4 |
| 53 | 179620 | Adaptor |
| 54 | 361273 | Screw M6X6 DIN 913 |
| 55 | 151272 | Strip |
| 58 | 179631 | Shaft |
| 59 | 179627 | INNER PROTECTIVE PIPE SET |
| 60 | 361288 | Screw M 6x30 ISO7380 |
| 61 | 179649 | Washer |
| 62 | 361288 | Screw M 6x30 ISO7380 |
| 63 | 179613 | Stopple |
| 64 | 179611 | Pipe |
| 65 | 179614 | Bush |
| 66 | 179645 | Bush |
| 67 | 179647 | Handle set |
| 68 | 361269 | Screw M 6x60 ISO7380 |
| 69 | 156569 | Support |
| 70 | 361271 | Screw M 6x16 ISO7380 |
| 71 | 179609 | Spacer washer |
| 72 | 179610 | Washer |
| 73 | 361267 | Special nut M6 |
| 74 | 179614 | Bush |
| 75 | 155987 | Pipe L645 |
| 77 | 179630 | OUTER PROTECTIVE PIPE SET |
| 78 | 155246 | Space bush |
| 79 | 361320 | Screw M 8x20 FABORY 07141080025 |
| 80 | 361291 | Screw C1-M4x30 |
| 81 | 361294 | Screw C1-M4x35 |
| 82 | 155255 | Adaptor |
| 83 | 155293 | Hose L400 |
| 84 | 179674 | Lever set |
| 85 | 179658 | Adaptor |
| 86 | 330330 | O-ring 31X2B |
| 90 | 361136 | Pin Φ3x8 DIN7343 |
| 91 | 179644 | Lock button |
| 92 | 115165 | Spring |
| 93 | 179642 | Bearing Bushing |
| 94 | 155287 | Console |
| 95 | 179625 | Space bush |
| 96 | 361265 | Screw M6X42 DIN 427 |
| 97 | 179652 | Enclosure |
| 98 | 330483 | Circlip B12 |
| 99 | 331319 | Washer AS1528 |
| 100 | 331318 | Bearing AXK 1528 |
| 101 | 331319 | Washer AS1528 |

| POS. No. | Ref.No. | Description |
|----------|---------|---------------------------------|
| 102 | 179641 | Space bush |
| 103 | 330820 | Bearing 2RSR |
| 104 | 330608 | Gasket AS15x28x7 NBR |
| 105 | 330588 | Circlip A28 |
| 106 | 155258 | Spindle |
| 107 | 179628 | Spring |
| 108 | 155285 | Protective cover Φ220 |
| 109 | 330486 | Circlip B35 |
| 110 | 155294 | Brush |
| 111 | 155295 | Gasket |
| 112 | 155296 | Collar |
| 113 | 156570 | Bush |
| 114 | 121838 | Locking nut |
| 117 | 361319 | Screw M 8x20 FABORY 07141080020 |
| 118 | 184121 | M Zn A3A |
| 119 | 155985 | Dust Extraction Adaptor |
| 120 | 155983 | Holder |
| 121 | 179667 | Holder |
| 122 | 361323 | Bush |
| 123 | 361272 | Screw M 6x8 ISO7380 |
| 125 | 155989 | Screw M 6x10 ISO7380 |
| 126 | 179741 | Disk |
| 127 | 155991 | Disk set 200mm |
| 130 | 141966 | Depth gauge |
| 131 | 361350 | Disk |
| 132 | 360078 | Screw C1-M5x8 |
| 133 | 361353 | Spring washer 5H |
| 134 | 159541 | Nut M5 ISO 10511 Zn |
| 143 | 158462 | Service pack |
| 133 | 361353 | Bush |
| 134 | 159541 | Nut M5 ISO 10511 Zn |
| 143 | 158462 | Service pack |
| 143 | 158462 | Bush |



134 - 94, 130, 131x2, 132x3, 133x3